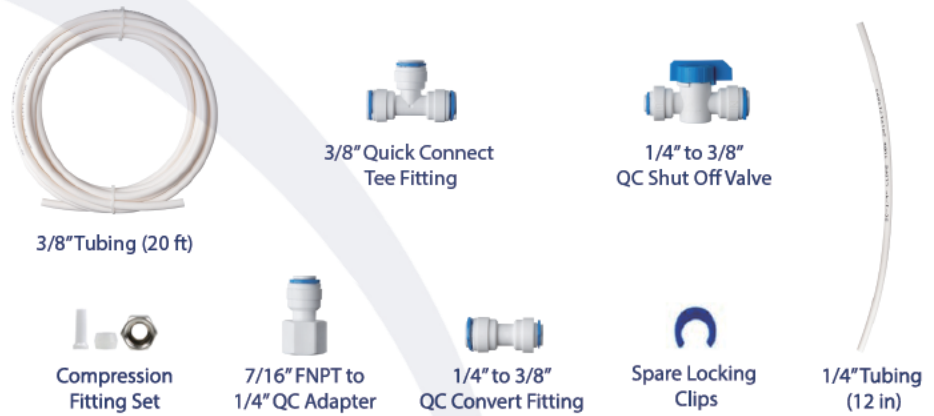


iSpring Ice Maker Kit (ICEK & ICEK3)

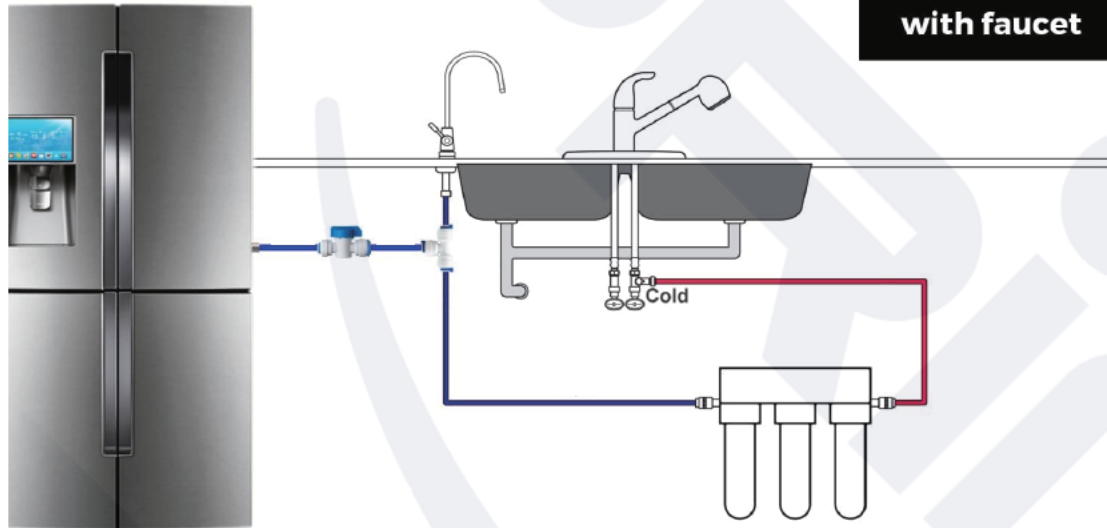
Package Contain (ICEK)



Package Contain (ICEK3)



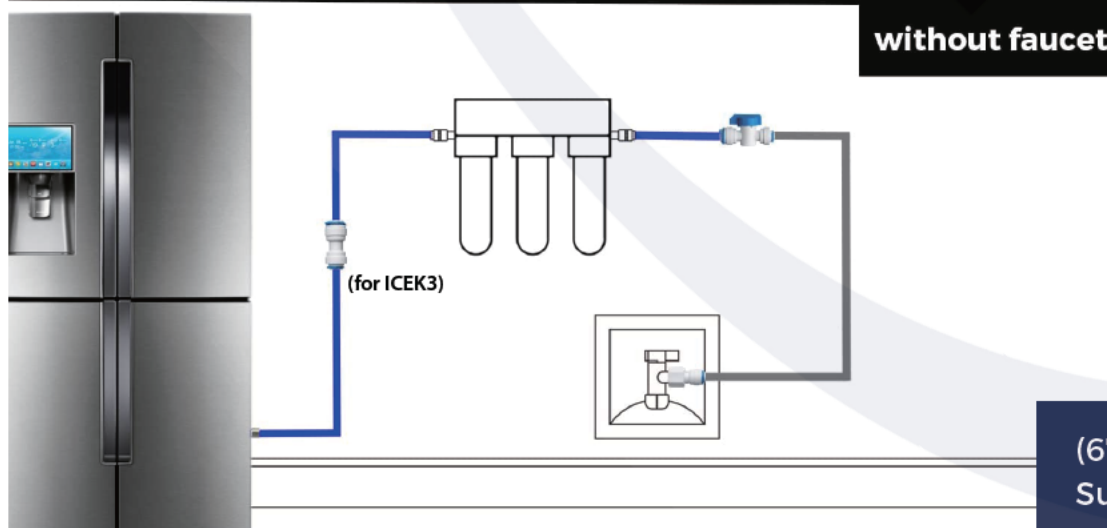
How to connect the iSpring Water Filtration System to your refrigerator using the Ice Maker Kit



Connects any water filtration system (including reverse osmosis systems) to the ice maker or water dispenser of your fridge.

Delivers crystal clear ice cubes and great tasting RO water to your fridge, superior to inline fridge filters.

Kit includes everything you need for the installation. Tested by independent third-party to meet NSF/ANSI Standards.



Durable and easy to install push-in quick connect fittings offer easy DIY installation with no tools required.

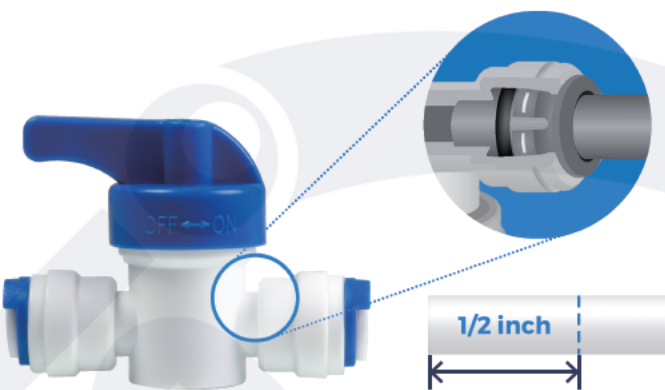
Push-in quick connect fittings offer easy DIY installation with no tools required.

(678) 261-7611
 Support@123filter.com
 www.123filter.com

iSpring Water Systems



Scan QR code for instruction videos

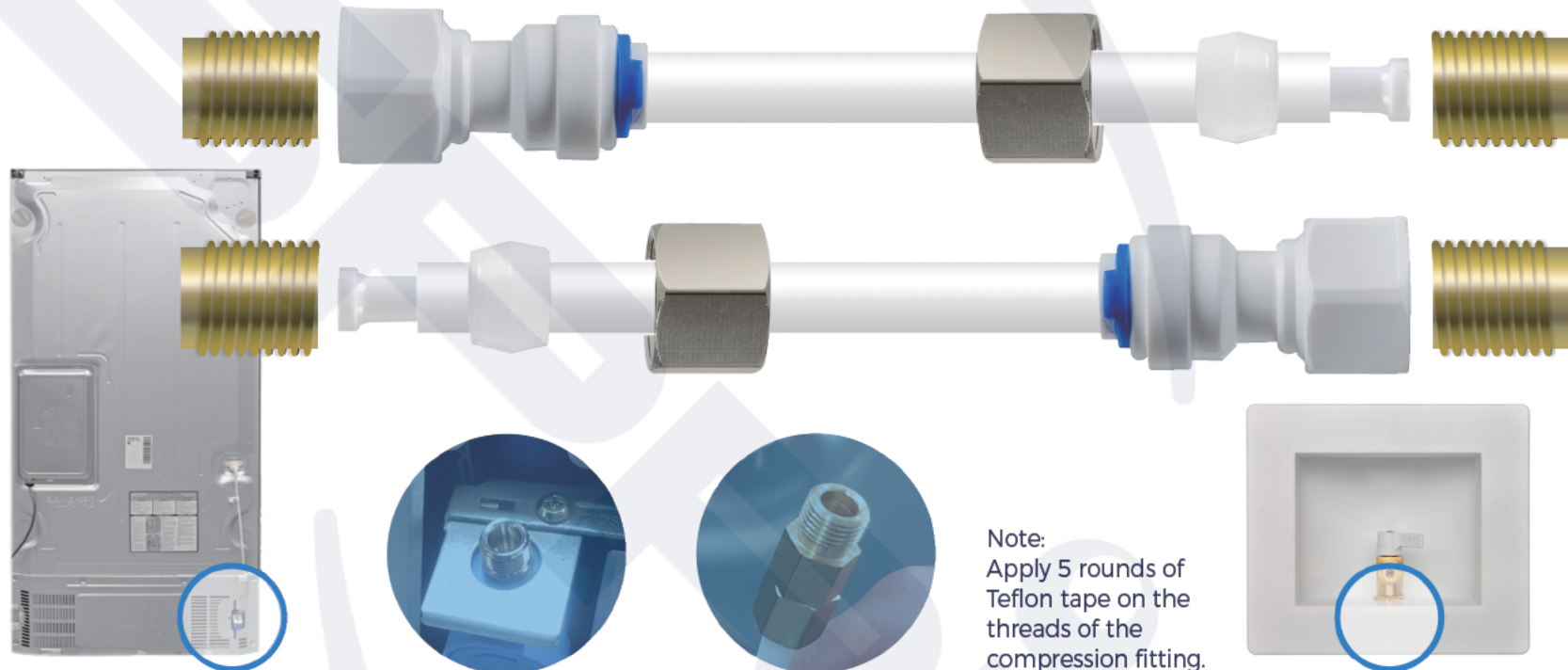


1. Viewing from the open end, a quick-fitting starts with the Collet, Lock Clip (usually blue in color), and Fitting Body.

2. To connect, cut tubing evenly, remove the Lock Clip, push the tubing 1/2 inch into the quick-fitting, and reinstall the Lock Clip. Pull on the tubing gently to make sure it is locked in.

3. To disconnect, remove the Lock Clip and compress and hold down the Collet into the Fitting Body to eliminate the gap where the locking clip was occupying while simultaneously pulling the tubing out.

Note: Watch "RO Quick-Fitting" YouTube videos for your reference.



Note:
Apply 5 rounds of
Teflon tape on the
threads of the
compression fitting.

How to connect the Ice Maker Kit for different configurations

